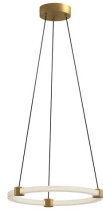


# BRUNI PD24716

## PENDANTS

PROJECT



PD24716-BK  
Black



PD24716-BG  
Brushed Gold

### SPECIFICATION DETAILS

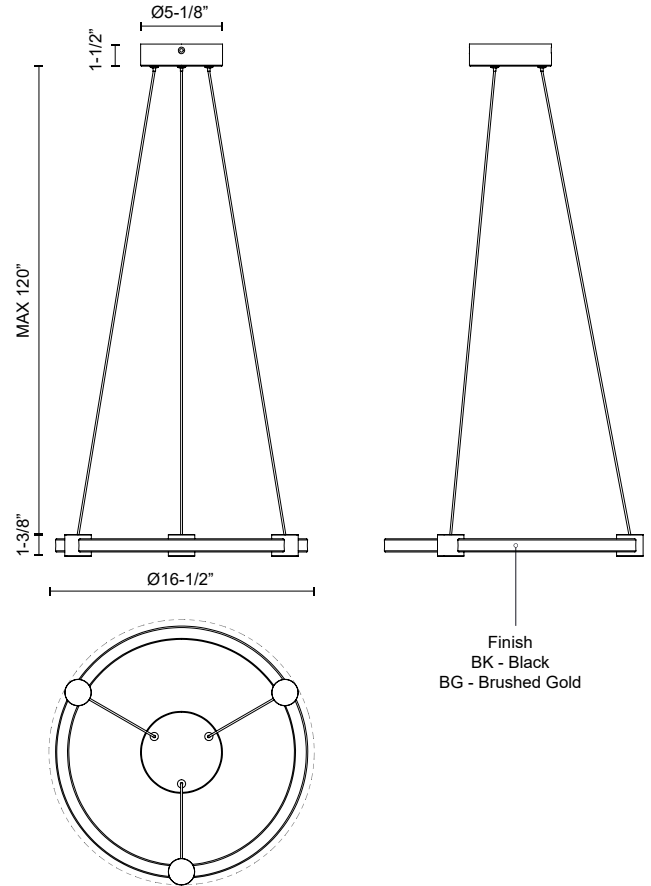
<b>Fixture Dimensions</b>	D16-1/2" x H1-3/8"
<b>Light Source</b>	LED with DC Driver
<b>Wattage</b>	22W
<b>Total Lumens</b>	1785lm
<b>Delivered Lumens</b>	BG-1315lm; BK-1375lm;
<b>Voltage</b>	120V
<b>Color Temperature</b>	3000K
<b>CRI (Ra)</b>	90CRI
<b>Optional Color Temps</b>	2700K - 5000K Available, Minimum Order Quantities Apply
<b>LED Rated Life</b>	50,000 hours
<b>Dimming</b>	100% - 10%, TRIAC or ELV Dimmer (Not Included)
<b>Diffuser Details</b>	Clear Acrylic Exterior/White Silicone Interior
<b>Adjustable</b>	Yes
<b>Wire Length</b>	120" Max
<b>Wire Type</b>	Black
<b>Minimum Hang Height</b>	9"
<b>Sloped Ceiling Adaptable</b>	Yes
<b>Location</b>	Dry
<b>Illumination Direction</b>	Up/Down
<b>Canopy Dimensions</b>	D5-1/8" x H1-1/2"
<b>Paint Finish</b>	BG01; BK02;

\* For custom options, consult factory for details.

\* For warranty information, please visit [www.kuzcolighting.com/warranty](http://www.kuzcolighting.com/warranty)

### DESCRIPTION

The Bruni Collection answers many requests for classic, modern shapes combined with ample lighting. These completely adjustable rings allow for completely customized styling that's all your own. Available in two sophisticated finishes, the acrylic ribbed texture of each circular lamp provides sufficient lighting for even the darkest rooms in your home



# KUZCO

CANADA: 19054 28TH AVENUE - SURREY, BC V3Z 6M3

USA: 3035 E. LONE MOUNTAIN ROAD - LAS VEGAS, NV 89081

[WWW.KUZCOLIGHTING.COM](http://WWW.KUZCOLIGHTING.COM)

© 2023 KUZCO LIGHTING. ALL RIGHTS RESERVED.

### COMMENT

